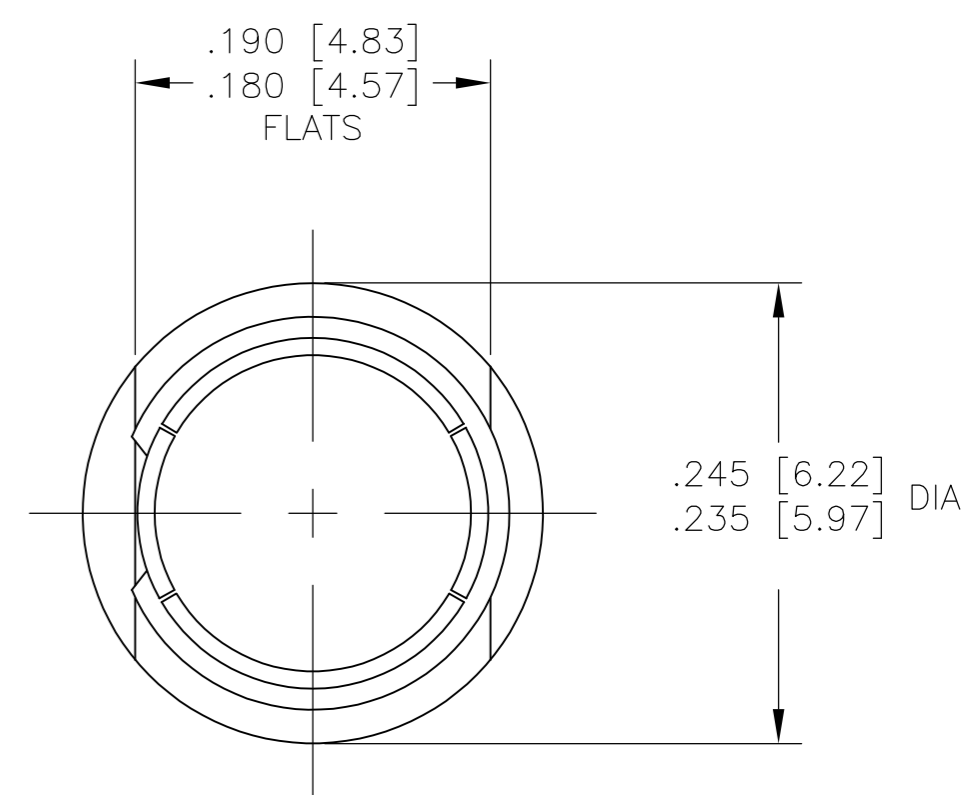
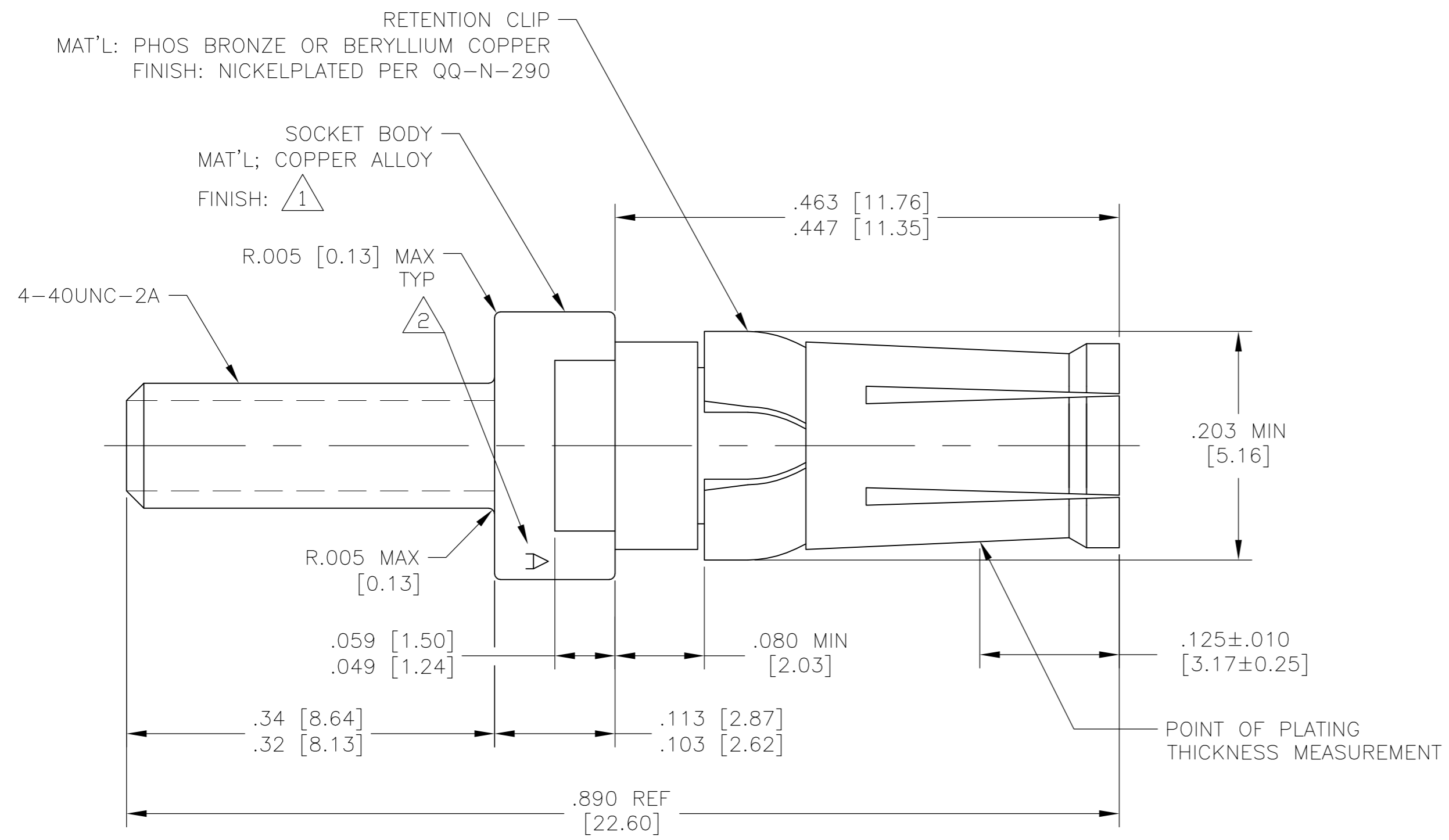


THIS DRAWING IS UNPUBLISHED. RELEASED FOR PUBLICATION - N/A .  
 © COPYRIGHT N/A BY TYCO ELECTRONICS CORPORATION. ALL RIGHTS RESERVED.

| LOC | DIST | REVISIONS |     |                       |         |     |      |
|-----|------|-----------|-----|-----------------------|---------|-----|------|
| DF  | DO   | P         | LTR | DESCRIPTION           | DATE    | DWN | APVD |
|     |      | A         |     | REV PER ECO-08-007206 | 08APR08 | TK  | CT   |

- ① FINISH: PLATED GOLD .000050 [0.00127] MIN THK PER ASTM-B488 OVER NICKEL .000050 [0.00127] MIN THK PER QQ-N-290.
- ② .015 TO .030 HIGH GOTHIC "A" STAMPED .001-002 DEEP. RADIAL LOCATION OPTIONAL.



1757682-1  
 PART NO.

|   |  |                                  |   |                       |
|---|--|----------------------------------|---|-----------------------|
| THIS DRAWING IS A CONTROLLED DOCUMENT.  |  | DWN<br>A.H.ANDERSON<br>05-APR-05 | Tyco Electronics Corporation<br>Harrisburg, PA 17105-3608 |                       |
| DIMENSIONS:<br>INCHES   |  | CHK<br>D.MILLER<br>05-APR-05     | NAME<br>ASSEMBLY, SOCKET CONTACT<br>POWER VIII, THREADED  |                       |
| TOLERANCES UNLESS OTHERWISE SPECIFIED:  |  | APVD<br>D.MILLER<br>05-APR-05    | SIZE<br>A2  | CAGE CODE<br>00779    |
| 0 PLC ± -<br>1 PLC ± -<br>2 PLC ± -<br>3 PLC ± .005 [0.13]<br>4 PLC ± -<br>ANGLES ± - |  | PRODUCT SPEC<br>APPLICATION SPEC | DRAWING NO<br>1757682                                     | RESTRICTED TO<br>-    |
| MATERIAL<br>SEE CALLOUTS  |  | FINISH<br>SEE CALLOUTS           | WEIGHT<br>-   | SCALE<br>10:1         |
|   |  | CUSTOMER DRAWING                 |   | SHEET 1 of 1<br>REV A |